



Nominal current	1 A
No-load current	0.2 A
Positioning resolution	0.5 % of positioning range
Positioning accuracy	2 % of positioning range
Positioning range	max. 50 rotations
Shock resistance in accordance with IEC/DIN EN 60068-2-27	50 g 11 ms
Vibration resistance in accordance with IEC/DIN EN 60068-2-6	10..55 Hz 1.5 mm/ 55..1 000 Hz 10 g/ 10..2 000 Hz 5 g
Output shaft	12 mm solid shaft (with flattening)
Maximum axial force	20 N
Maximum radial force	30 N
Ambient temperature	0..50 °C
Storage temperature	-10..70 °C
Protection class	IP 55
Weight	900 g
Certificates	CE

<b>Order code</b>	<b>A</b>	<b>B</b>	<b>C</b>	<b>D</b>	<b>E</b>	<b>F</b>
<b>PSE</b>						

Nominal torque	Nominal rated speed	A
1 Nm	30 min <sup>-1</sup>	200/1
5 Nm	5 min <sup>-1</sup>	200/2
10 Nm	2 min <sup>-1</sup>	200/3
10 Nm	1 min <sup>-1</sup>	200/4
10 Nm	0.5 min <sup>-1</sup>	200/5
10 Nm	0.25 min <sup>-1</sup>	200/6

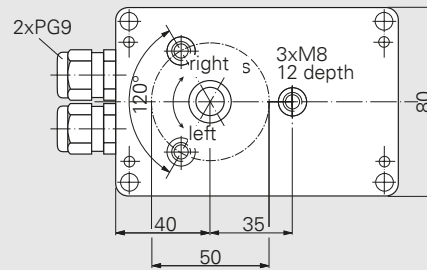
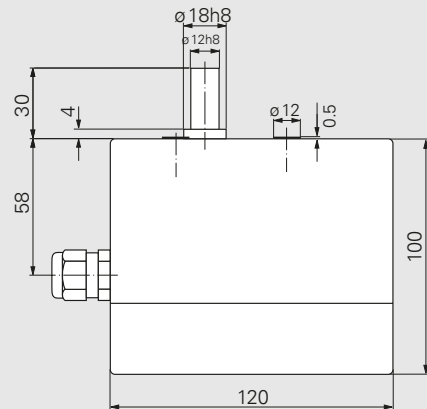
Default analog target value	B
0..10 VDC ( $R_L > 2 \text{ k}\Omega$ )	A
0..20 mA ( $R_L < 500 \Omega$ )	B
4..20 mA ( $R_L < 500 \Omega$ )	C

Supply voltage	C
24 VDC (+20/-15 %)	A

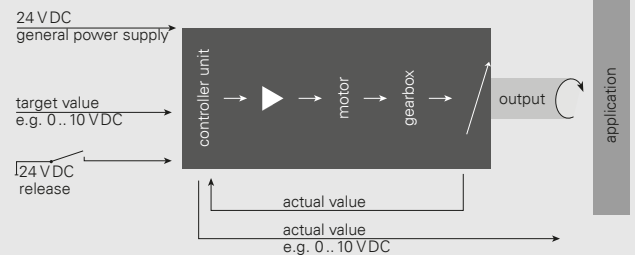
Positioning range	D
0..360°	— °
max. 50 rotations	— U

Output signal actual value	E
0..10 V	A
0..20 mA	B
4..20 mA	C

Rotational direction	F
left	li
right	re



**Functional block diagram PSE200**



Dimensions in mm.